



US00D874783S

(12) **United States Design Patent**
Neves

(10) **Patent No.:** **US D874,783 S**

(45) **Date of Patent:** **** Feb. 4, 2020**

- (54) **GIRDER**
- (71) Applicant: **Flexcrane, Inc.**, Burleson, TX (US)
- (72) Inventor: **Vitor Hugo Carneiro dos Santos Neves**, Maia (PT)
- (73) Assignee: **FLEXCRANE, INC.**, Burleson, TX (US)

D298,057 S * 10/1988 Mahnke D25/122
 5,351,926 A * 10/1994 Moses A61B 6/4464
 248/343
 D552,529 S * 10/2007 Klinkman D12/223
 D655,884 S * 3/2012 Spies D34/35
 D729,487 S * 5/2015 Dockx D34/29
 D784,793 S * 4/2017 Kim D8/354

(Continued)

- (**) Term: **15 Years**
- (21) Appl. No.: **29/647,483**

PT 106753 A 7/2014
 PT 11131 T 7/2015

FOREIGN PATENT DOCUMENTS

- (22) Filed: **May 14, 2018**
- (51) **LOC (12) Cl.** **12-05**
- (52) **U.S. Cl.**
USPC **D34/35**
- (58) **Field of Classification Search**
USPC D25/61, 119-123, 126, 164, 199;
D34/35; D8/354
CPC B66C 1/00; B66C 6/00; B66C 7/00; B66C
7/02; B66C 7/04; B66C 7/08; E04C
2003/0404; E04C 2003/0408; E04C
2003/0426; E04C 2003/0434; E04C
2003/0439; E04C 2003/0443; E04C
2003/0452; E04C 2003/0456; E04C
2003/0465; E04C 3/02; E04C 3/04; F16D
63/00

OTHER PUBLICATIONS

Flexcrane Company Website, published on Jan. 12, 2016, online. Site visited on May 16, 2019. Internet URL:<<"https://web.archive.org/web/20160112171132/https://www.flexcrane.com/"> (Year: 2016).*

Primary Examiner — L. Martinez
(74) *Attorney, Agent, or Firm* — Patenttm.us; James Walters

See application file for complete search history.

(57) **CLAIM**

I claim the ornamental design for a girder, as shown and described.

DESCRIPTION

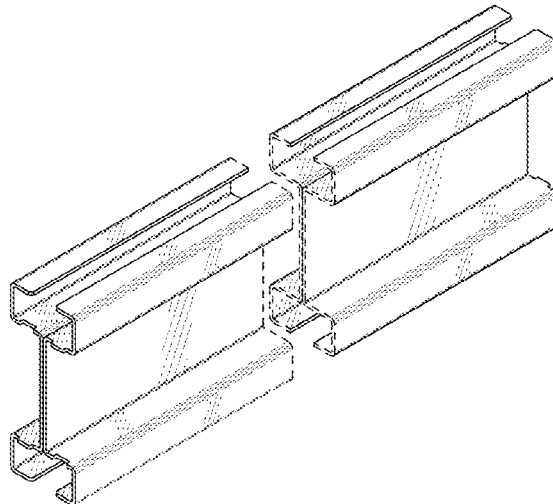
(56) **References Cited**

U.S. PATENT DOCUMENTS

- 1,085,429 A * 1/1914 Kahn et al. D25/121
- 3,043,408 A * 7/1962 Attwood E04C 3/07
D25/121
- D203,582 S * 2/1966 Hinrichs D25/121
- 3,247,639 A * 4/1966 Dela Rambelle E04G 11/56
52/632
- 4,285,095 A * 8/1981 Janson A47H 1/04
16/94 R
- 4,318,252 A * 3/1982 Janson E04C 3/06
52/39

FIG. 1 is an isometric view of a girder, showing the new design;
 FIG. 2 is a left side view of the girder of FIG. 1;
 FIG. 3 is a right side view of the girder of FIG. 1;
 FIG. 4 is a top view of the girder of FIG. 1;
 FIG. 5 is a rear view of the girder of FIG. 1;
 FIG. 6 is a bottom view of the girder of FIG. 1; and,
 FIG. 7 is a front view of the girder of FIG. 1.
 The girder is shown with a symbolic break in its length. The appearance of any portion of the girder between the break lines forms no part of the claimed design.

1 Claim, 7 Drawing Sheets



(56)

References Cited

U.S. PATENT DOCUMENTS

D789,180	S	*	6/2017	Webb	D8/354
D789,181	S	*	6/2017	Webb	D8/354
2009/0255203	A1	*	10/2009	Richardson	E04B 9/06
						52/506.06
2017/0305725	A1	*	10/2017	Neves	F16D 63/00
2018/0283007	A1	*	10/2018	Lukito	E04C 3/04

* cited by examiner

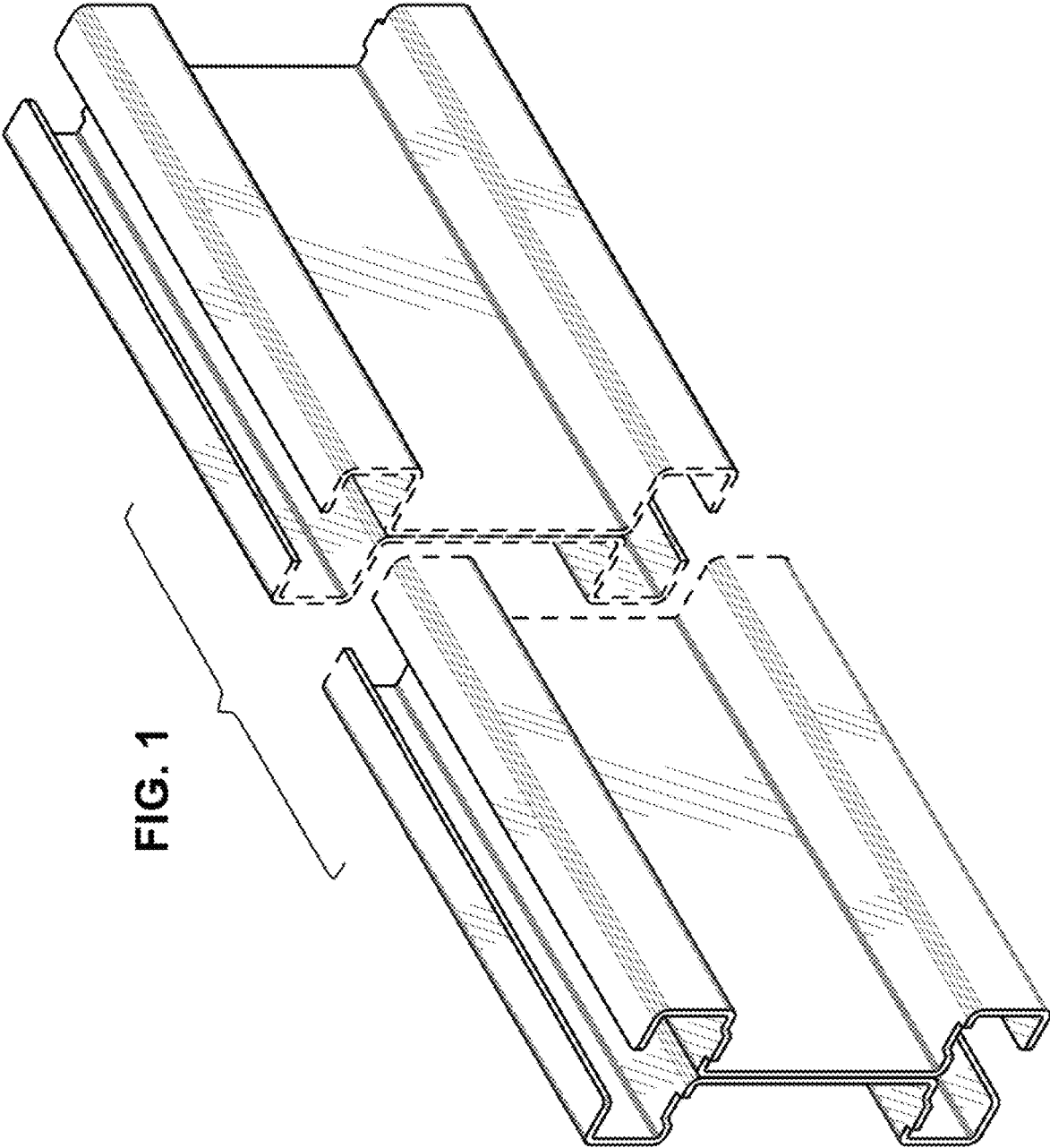


FIG. 1

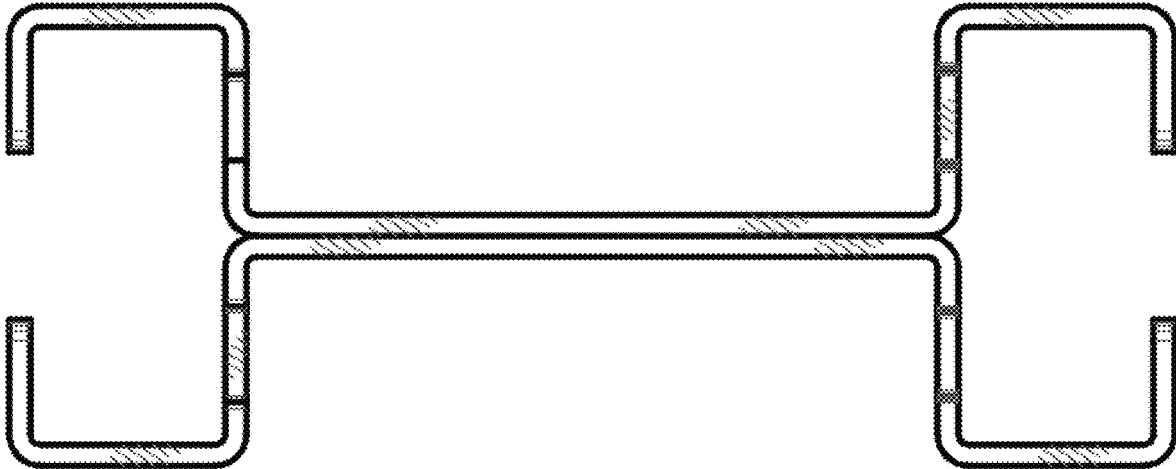


FIG. 2

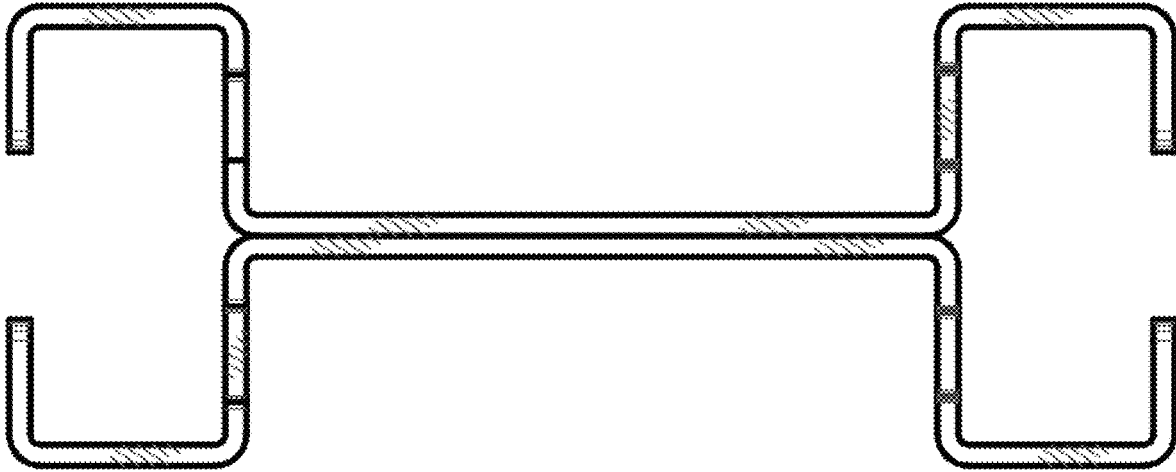


FIG. 3

FIG. 4

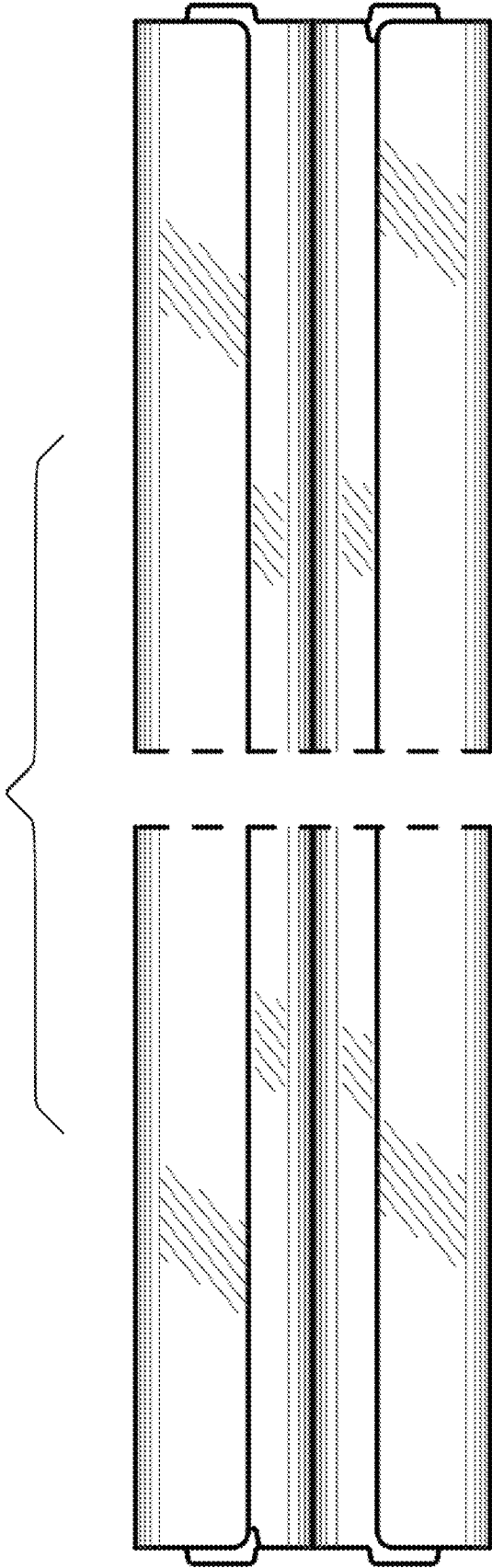


FIG. 5

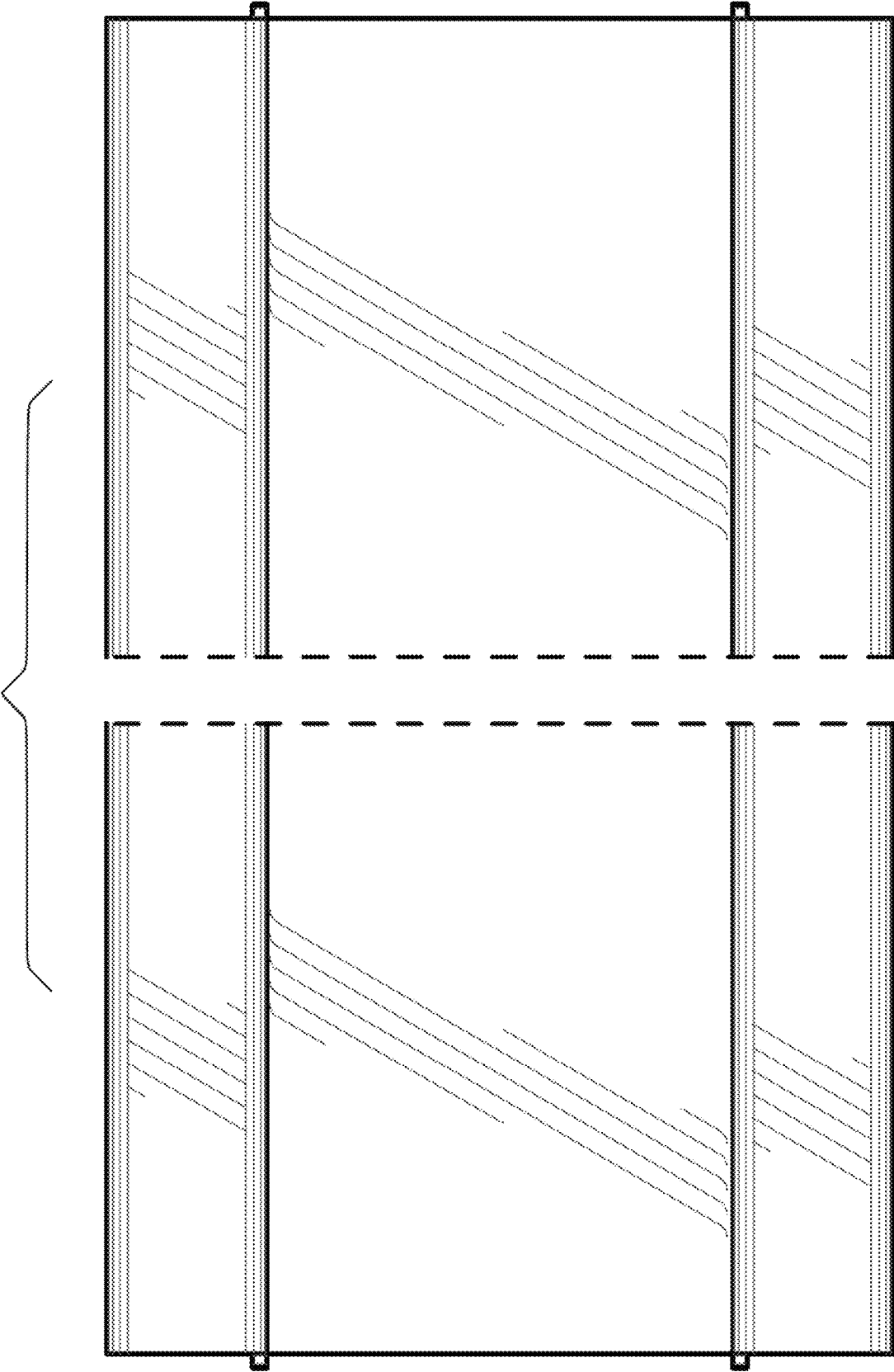


FIG. 6

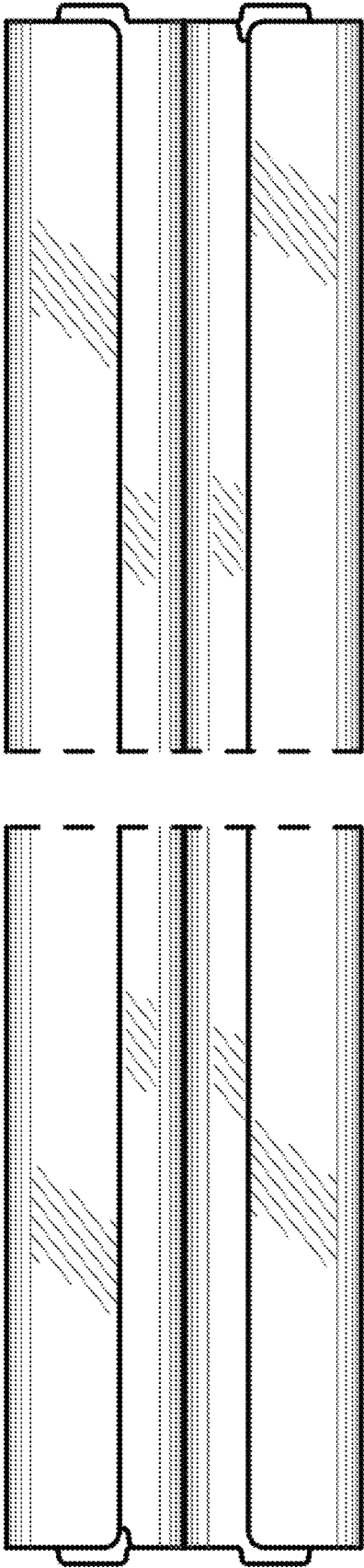


FIG. 7

