



(12) **United States Design Patent**  
**Neves**

(10) **Patent No.:** **US D875,506 S**  
(45) **Date of Patent:** **\*\* Feb. 18, 2020**

- (54) **WHEEL BLOCK**
- (71) Applicant: **Flexcrane, Inc.**, Burleson, TX (US)
- (72) Inventor: **Vitor Hugo Carneiro dos Santos Neves**, Maia (PT)
- (73) Assignee: **FLEXCRANE, INC.**, Burleson, TX (US)
- (\*\*) Term: **15 Years**
- (21) Appl. No.: **29/647,482**
- (22) Filed: **May 14, 2018**
- (51) **LOC (12) Cl.** ..... **09-06**
- (52) **U.S. Cl.**  
USPC ..... **D8/356; D8/360**
- (58) **Field of Classification Search**  
USPC ..... **D8/356, 354, 349, 360; D30/139; D11/218; 24/129 R**  
See application file for complete search history.

- D330,671 S \* 11/1992 Greene ..... D34/33
- 6,244,570 B1 \* 6/2001 Habberstad ..... B66D 3/046  
254/399
- D687,700 S \* 8/2013 Petzl ..... D8/360
- 8,579,261 B1 \* 11/2013 Liao ..... F16C 13/006  
254/412
- D848,254 S \* 5/2019 Sasaki ..... D8/394

\* cited by examiner

*Primary Examiner* — Cynthia R Underwood  
(74) *Attorney, Agent, or Firm* — PatentTm.US; James H. Walters

(57) **CLAIM**

I claim the ornamental design for a wheel block, as shown and described.

**DESCRIPTION**

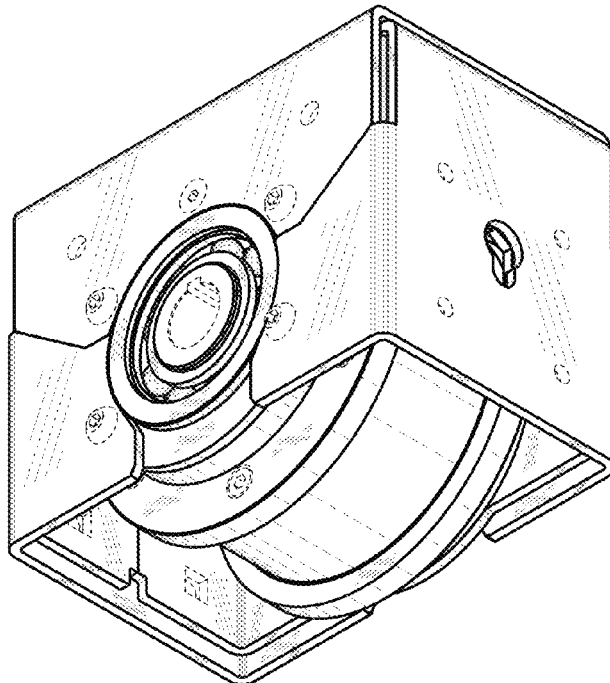
FIG. 1 is an isometric view of a wheel block, showing the new design;  
FIG. 2 is a left side view of the design of FIG. 1;  
FIG. 3 is a right side view of the design of FIG. 1;  
FIG. 4 is a top side view of the design of FIG. 1;  
FIG. 5 is a rear side view of the design of FIG. 1;  
FIG. 6 is a bottom side view of the design of FIG. 1;  
FIG. 7 is a front side view of the design of FIG. 1; and,  
FIG. 8 is an exploded view of the design of FIG. 1.  
The broken line portions in the drawings are for illustration of environmental structure or boundaries that form no part of the design.

**1 Claim, 8 Drawing Sheets**

(56) **References Cited**

U.S. PATENT DOCUMENTS

D16,980 S *	11/1886	Kuhn	.....	D8/360
352,539 A *	11/1886	Handy	.....	B66D 3/04 254/412
D28,397 S *	3/1898	Ocuppaugh	.....	D8/360
D202,294 S *	9/1965	Heifetz	.....	D8/360
4,079,916 A *	3/1978	Einhorn	.....	B22D 19/12 2/909
4,834,331 A *	5/1989	Domingo	.....	G09F 7/20 242/129.6
5,154,401 A *	10/1992	Schramm	.....	B66D 3/06 254/390



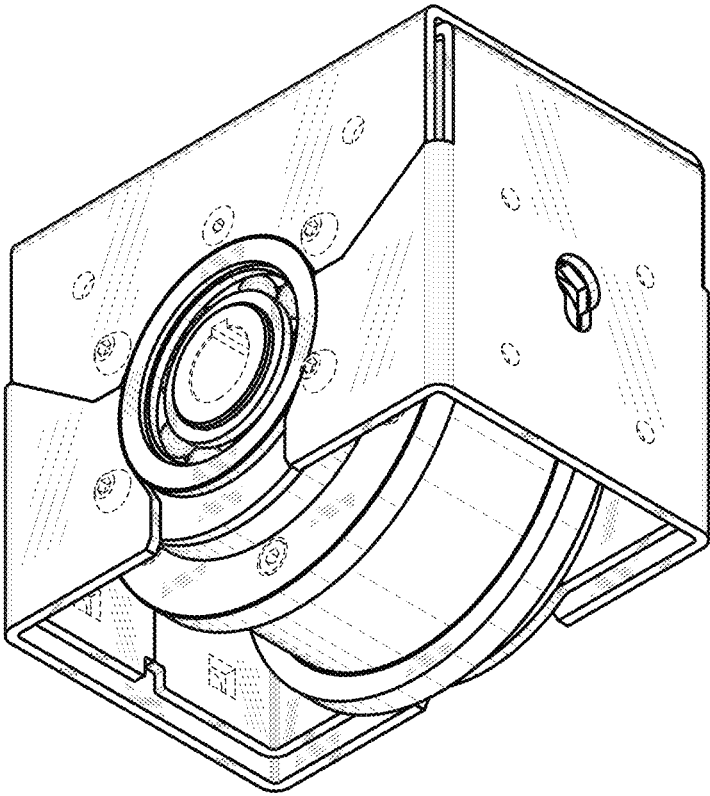


FIG. 1

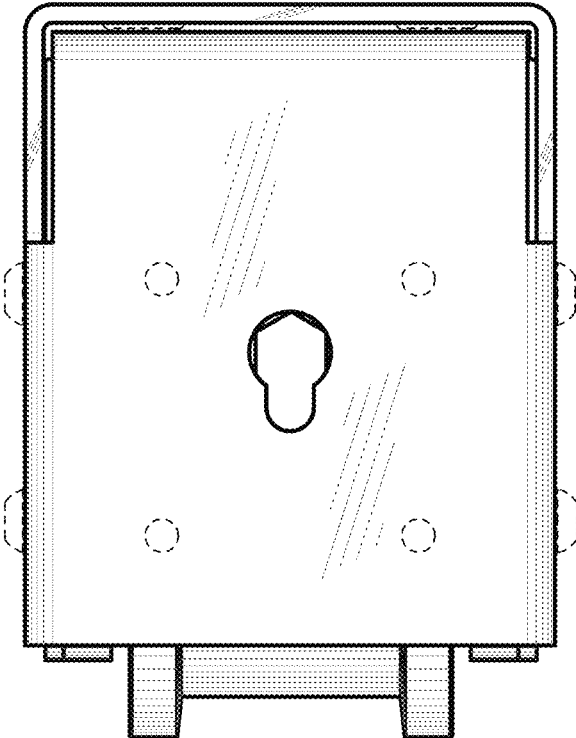


FIG. 2

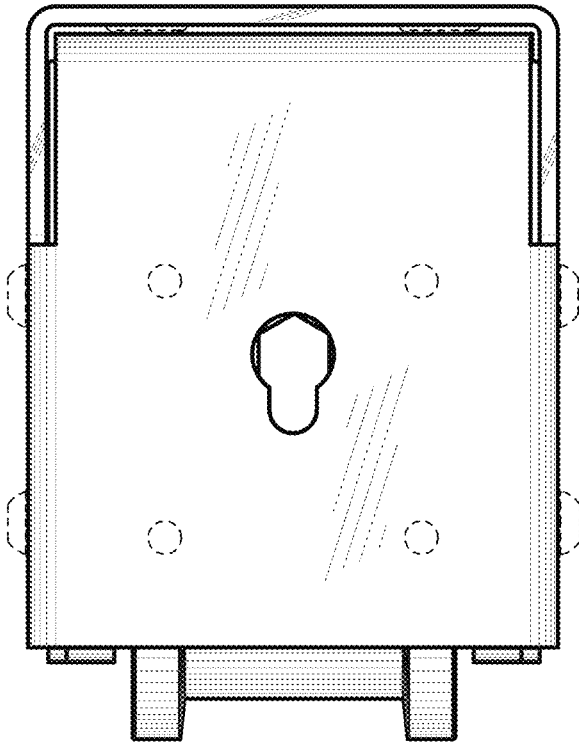


FIG. 3

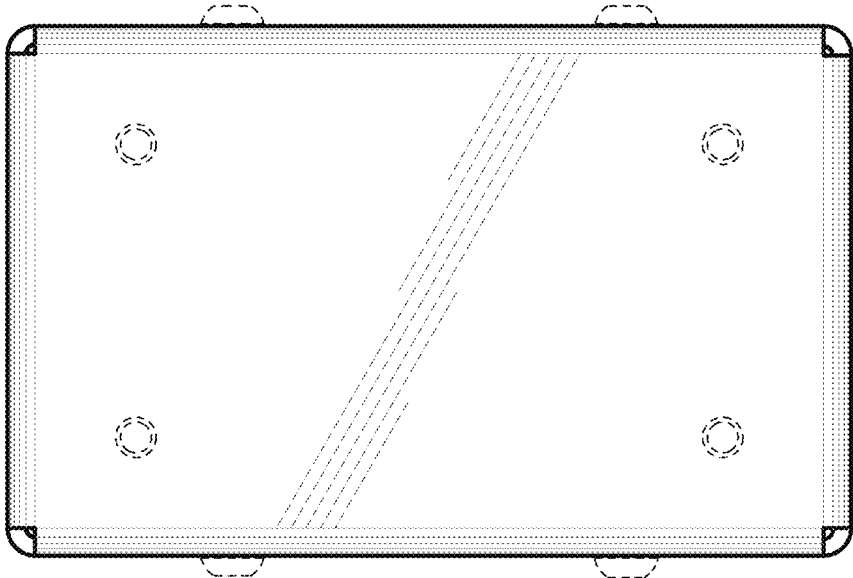


FIG. 4

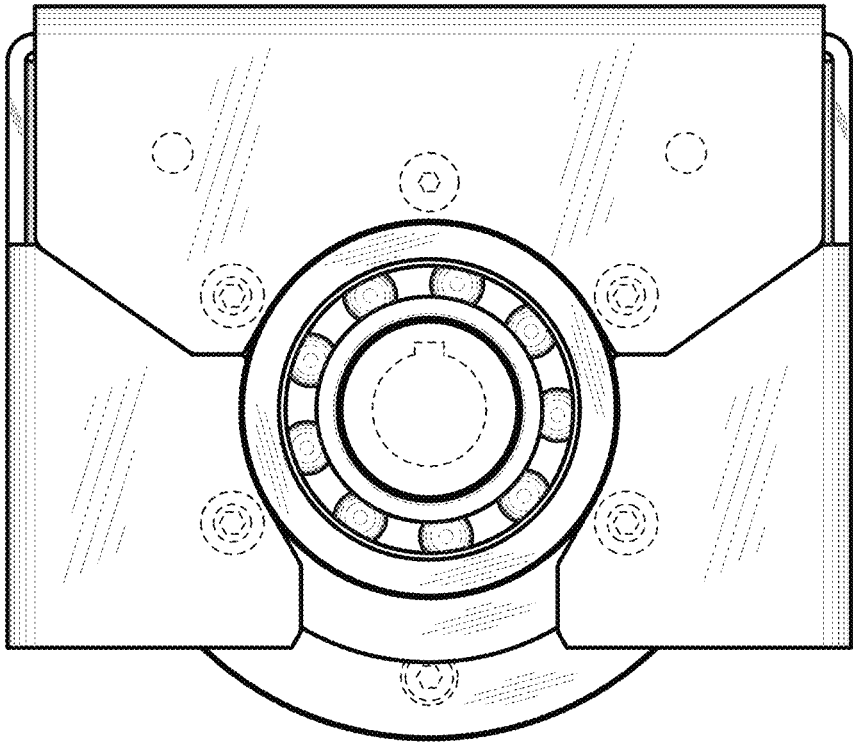


FIG. 5

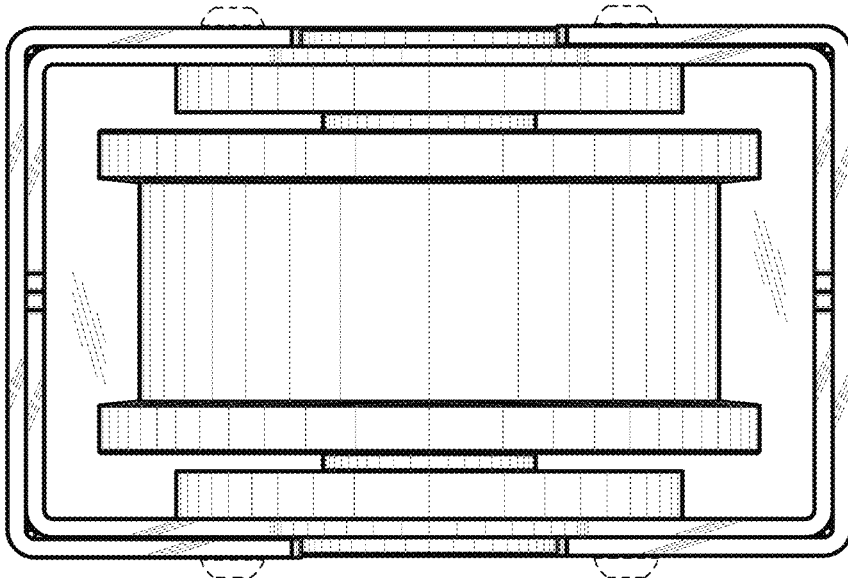


FIG. 6

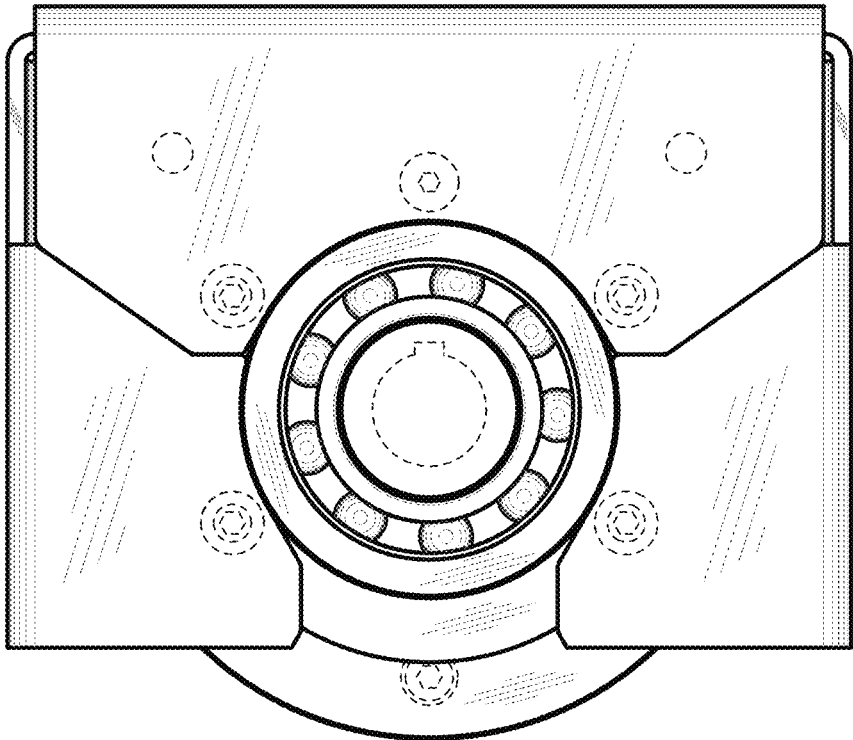


FIG. 7



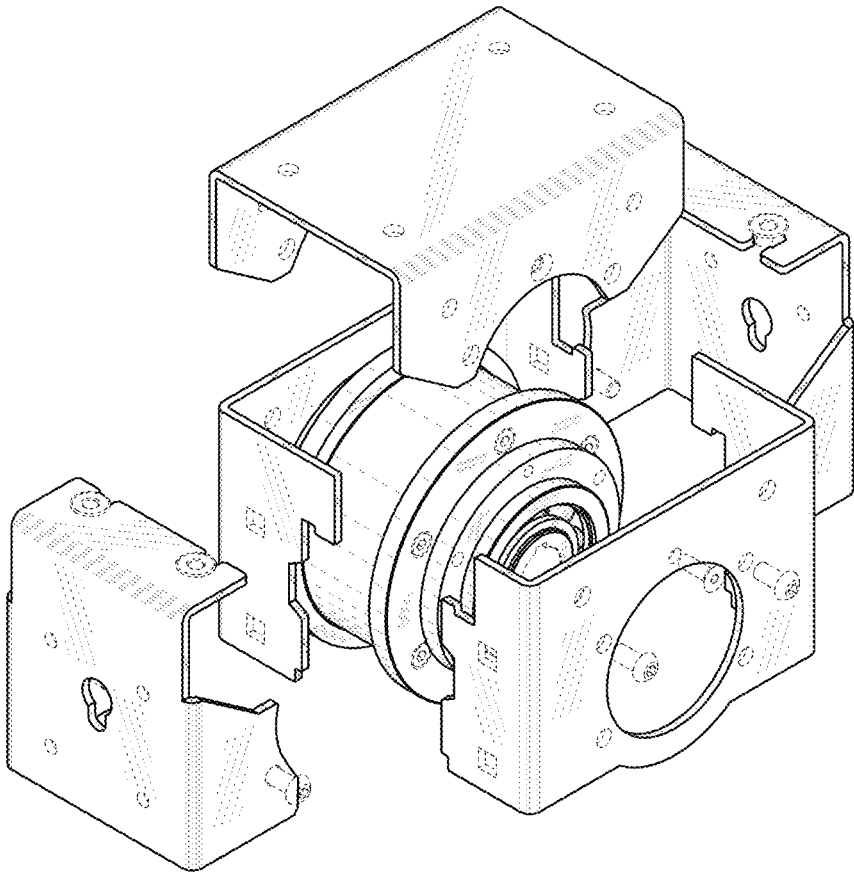


FIG. 8